

WINEQUIP



WTG-
QUANTOR
GMBH

QUANTOR PLUS

WATER RE-COOLER

Q+672 - Q+2442 / Q+1264 - Q+2384

- LARGE RANGE OF FEATURES IN STANDARD
- REVERSIBLE UNIT - HEAT-PUMP
- LARGE RANGE OF OPTIONS FOR CHOICE



IN FLOW WITH YOUR PRODUCTION.

QUANTOR PLUS

WATER RE-COOLER

Q+672 - Q+2442 / Q+1264 - Q+2384

This new QUANTOR PLUS series is a further development of the Quantor series, which is operated with the environmentally friendly refrigerant R32 with low GWP(Global Warming Potential).


The newly developed copper-aluminium condenser significantly reduces the refrigerant charge of the chillers. Despite, the Quantor PLUS units with R32 achieve higher efficiency and higher cooling capacity than comparable systems with R410a under the same ambient conditions. In addition to that, an electronic expansion valve is now installed in the refrigeration circuit, improving efficiency also in partial load. This combination of a lower refrigerant load in general and the use of the highly efficient refrigerant gas R32 leads to a remarkable reduction of the negative impact on the environment.

The units of this new range are available with capacities from 63 kW to 244 kW.¹ The units are designed only for an installation outdoors, suitable for operation at ambient temperatures from -10°C to +46°C. The rated cold-water temperature is between -10°C and +8°C, (warm water up to +60°C).


The Quantor PLUS units are therefore the solution for wine, beer and beverage producers who need cooling and heating (option) for temperature control and who value a safe, very efficient, environmentally friendly and future-oriented solution.

- Cold maceration
- Fermentation control
- Beer-wort cooling
- Cooling for carbonation, in-line cooling solutions available
- Wine-stabilization (Glycol-water temperature down to -10°C possible)
- Warming-up cold-stored wine before bottling, in-line heating of wine solutions available
- Room temperature control by cooling or heating the air - (with additional fan-equipment, see additional product range).

WATER TEMPERATURE RANGE

 from -10°C to + 8°C
(hot water up to +60 °C)

AMBIENT TEMPERATUR RANGE

 from -10°C to +46°C

SUITABLE FOR INDUSTRIES



CHARACTERISTICS

One of the big advantages of the QUANTOR PLUS range is the large variety of models, sizes and capacities that it offers to the user's choice:

- ➔ In total there are 18 sizes / units with cooling capacities from 63 kW to 244 kW¹
- ➔ All models are available as standard units (cooling only) or reversible units (cooling and heating / heat-pump)
- ➔ Q+672 - Q+2442 (63 - 244 kW)¹ equipped with one cooling circuit
- ➔ Q+1264 - Q+2384 (126 - 238 kW)¹ equipped with two independent cooling circuits for increased process safety
- ➔ Units with higher cooling capacities, with two or more independent cooling circuits, are also available with new, environmentally friendly cooling gases.

Please contact us for more information.

In addition to that, the QUANTOR PLUS range is characterized by its modularity and thus by its individuality: To complete the extensive standard equipment we offer many features to the user's choice to perfectly adapt each unit to the particular application and also to the individual requirements at the customer's location.

Technical specifications are subject to change without prior notice.

STANDARD FEATURES

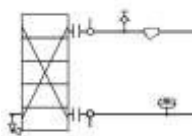
- Stable construction from galvanised sheet metal with premium Polyester powder-coating with anti vibration mounts
- Hermetic Scroll compressors of the latest models
- Stainless steel pipes (water-side)
- Optimized condenser construction for efficient heat-transfer
- Gradual activation of the compressors allows higher efficiency by partial-load operation, and significantly positive values of the European seasonal energy efficiency ratio EER
- High efficiency (EER till 4,10 and COP till 3,42)^{1,2} and low power consumption
- Latest generation micro-processor control with supervision of all the relevant parameters
- Compressor encapsulated in noise-reduction compartment
- Stainless steel evaporator with integrated frost-protection heating element
- Fan speed control
- Refrigerant: R32
- Victaulic connections included with the units

AVAILABLE OPTIONS

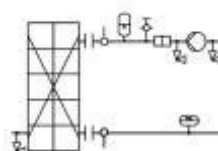
- Large variety of hydraulic options is available
 - ➔ Integrated Hydraulic module
 - Pump (high or low-pressure pump), filtre, expansion vessel and flow switch
 - ➔ Integrated Hydronic Basic module
 - Pump (high or low-pressure pump), stainless steel buffer tank with heating bar (0,3kW), expansion vessel and flow switch
 - ➔ Integrated Hydronic PLUS module
 - Pump, stainless steel buffer tank with heating bar (0,3kW) as hydraulic flow-adaptation, expansion vessel and flow switch
- Coils protection grills
- Epoxy coating on the condenser
- Fan-motors with frequency converter
- Fans with stronger air-thrust (for cooling only units)
- Partial heat recovery (desuperheater)
- Total heat recovery Remote control
- By models from Q1132, additional noise-reduction is possible
- Soft-start for compressors
- Power Factor Correction
- Second pumps and / or frequency controlled pumps
- Further options are available, as well as additional models: units with screw compressors, units with Shell-and-Tube evaporator, etc.

[Please contact us for more information.](#)

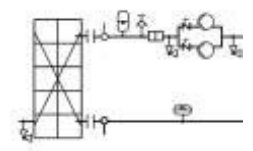
HYDRAULIC OPTIONS



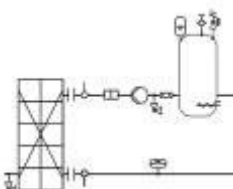
Base version
(without additional features)



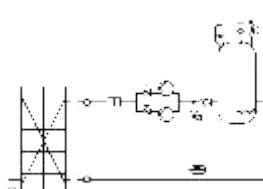
Hydraulic Module
(1 pump, LP/HP)



Hydraulic Module
(2 pumps, LP/HP)



Hydronic Basic module
(1 pump, LP/HP)



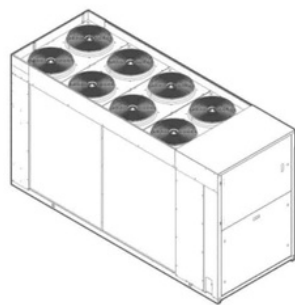
Hydronic Basic module
(2 pumps, LP/HP)



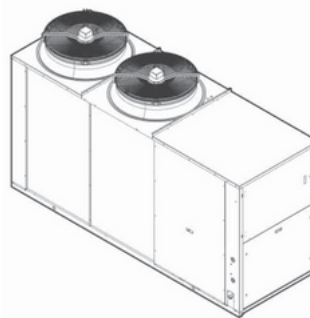
Hydronic PLUS
module



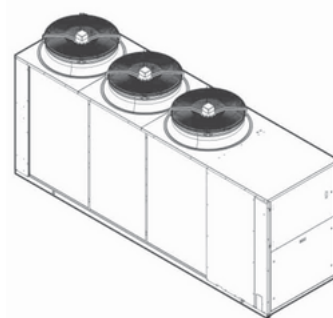
Q+672-LN - Q+752-LN



Q+852-LN - Q+972-LN



Q+1132 - Q+1522



Q+1822 - Q+2262

CHILLERS	QUANTOR PLUS		Q+672	Q+752	Q+852	Q+972	Q+1132	Q+1242	Q+1412	Q+1522	Q+1822	Q+2032	Q+2262	Q+2442
	Cooling capacity ¹	kW	63,1	69,2	80,2	94,1	112,5	124,4	138,7	152,3	179,4	198,9	223,8	243,9
	Input power ¹	kW	16,4	18,9	20,5	24,3	27,5	30,9	35,5	40,3	44,8	50,0	58,6	67,4
	EER ¹	W/W	3,84	3,68	3,91	3,87	4,10	4,03	3,91	3,77	4,00	3,98	3,82	3,62
	SEER	W/W	4,40	4,32	4,37	4,33	4,26	4,15	4,29	4,21	4,36	4,21	4,23	4,27
	Water flow rate ¹	l/h	10.870	12.010	13.800	16.590	19.380	21.430	23.900	26.210	30.880	34.240	38.530	42.000

HEAT PUMPS	QUANTOR PLUS-R		Q+672-R	Q+752-R	Q+852-R	Q+972-R	Q+1132-R	Q+1242-R	Q+1412-R	Q+1522-R	Q+1822-R	Q+2032-R	Q+2262-R	Q+2442-R
	Cooling capacity ¹	kW	59,5	65,9	76,4	89,0	103,2	114,3	130,6	143,0	170,8	189,8	213,7	234,4
	Input power ¹	kW	16,9	19,6	21,5	25,2	29,0	32,5	35,2	40,3	43,9	50,1	58,1	66,3
	Heating capacity ²	kW	58,8	65,4	76,6	88,8	103,0	113,7	126,6	138,9	163,3	181,1	200,6	219,9
	Input power ²	kW	17,2	19,7	22,5	26,5	31,0	33,8	37,4	41,5	49,1	55,3	60,9	67,5
	EER ¹	W/W	3,51	3,36	3,55	3,53	3,56	3,52	3,71	3,55	3,89	3,79	3,68	3,53
	COP ²	W/W	3,42	3,32	3,4	3,35	3,32	3,36	3,37	3,35	3,30	3,27	3,29	3,26
Water flow rate ¹	l/h	10.240	11.350	13.160	15.330	17.770	19.680	22.490	24.620	29.390	32.670	36.790	40.350	

TECHNICAL DATA - CHILLERS - HEAT PUMP	Compressors	n°	2	2	2	2	2	2	2	2	2	2	2	2	
	Circuits	n°	1	1	1	1	1	1	1	1	1	1	1	1	1
	Fans	n°	6	6	8	8	2	2	2	2	3	3	3	3	3
	Sound power ^{1,3}	dB(A)	73,6	74,1	74,9	75,1	87,2	87,5	87,7	87,9	89,4	89,5	90	90,1	90,1
	Hydraulic connections	Ø	2"½	2"½	2"½	2"½	2"½	2"½	2"½	2"½	2"½	2"½	2"½	2"½	2"½
	Height	mm	1.650	1.660	1.660	1.660	1.910	1.910	1.910	1.910	1.900	1.900	1.900	1.900	1.900
	Width	mm	1.100	1.100	1.100	1.100	1.100	1.100	1.100	1.100	1.100	1.100	1.100	1.100	1.100
	Length	mm	2.820	3.320	3.320	3.320	3.570	3.570	3.570	3.570	4.370	4.370	4.370	4.370	4.370
	Weight (when empty) ⁴	kg	907	1.005	1.024	1.075	1.088	1.111	1.166	1.167	1.411	1.573	1.596	1.608	1.608
	Buffer tank capacity ⁵	l	300	300	300	300	400	400	400	400	400	400	400	400	400

Technical specifications are subject to change without prior notice



1 Nominal cooling capacities based on 28°C and liquid inlet/outlet temperature 12/7°C

2 Nominal heating capacities based on 7°C and liquid inlet/outlet temperature 40/45°C

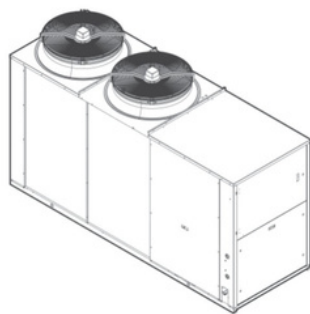
3 The value of sound power is measured in accordance with standard 9614-2

4 Unit total weight may vary according to chosen options

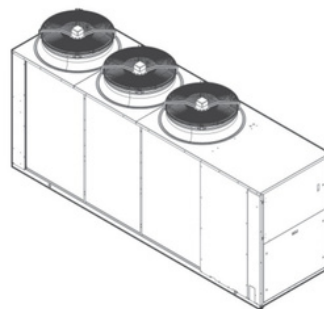
5 Tank volume by Hydronic versions

All QUANTOR units are equipped with:

- Scroll Compressor
- Electric connection 400V/3PhN/50Hz
- varying voltage levels on request
- Axial fan



Q+1264 - Q+1434



Q1654 - Q2174

CHILLERS	QUANTOR PLUS		Q+1264	Q+1434	Q+1654	Q+1924	Q+2174	Q+2384
	Cooling capacity ¹	kW	126,2	140,70	160,9	190,0	214,4	238,0
	Input power ¹	kW	33,3	38,7	42,3	49,6	57,5	65,5
	EER ¹	W/W	3,79	3,64	3,81	3,83	3,73	3,63
	SEER	W/W	4,43	4,40	4,37	4,38	4,39	4,27
	Water flow rate ¹	l/h	21.730	24.220	27.700	32.710	36.900	40.970

HEAT PUMP	QUANTOR PLUS-R		Q+1264-R	Q+1434-R	Q+1654-R	Q+1924-R	Q+2174-R	Q+2384-R
	Cooling capacity ¹	kW	123,1	136,9	156,1	183,3	206,5	231,0
	Input power ¹	kW	32,8	38,2	42,9	50,0	56,9	64,4
	Heating capacity ²	kW	119,7	133,9	155,5	175,3	195,0	213,7
	Input power ²	kW	35,6	40,4	47,0	53,3	57,8	62,7
	EER ¹	W/W	3,75	3,59	3,64	3,67	3,63	3,59
	COP ²	W/W	3,36	3,31	3,31	3,29	3,37	3,41
Water flow rate ¹	l/h	19.400	23.560	26.870	31.550	35.540	39.750	

TECHNICAL DATA - CHILLERS - HEAT PUMP	Compressors		n°	4	4	4	4	4	4
	Circuits		n°	2	2	2	2	2	2
	Fans		n°	2	2	3	3	3	3
	Sound power ^{1,3}		dB(A)	86,5	87,1	88,8	88,8	90,1	90,0
	Hydraulic connections		Ø	2"½	2"½	2"½	2"½	2"½	2"½
	Height		mm	1.910	1.910	1.900	1.900	1.900	1.900
	Width		mm	1.100	1.100	1.100	1.100	1.100	1.100
	Length		mm	3.570	3.570	4.370	4.370	4.370	4.370
	Weight (when empty) ⁴		kg	1.275	1.351	1.461	1.563	1.626	1.670
	Buffer tank capacity ⁵		l	400	400	400	400	400	400

Technical specifications are subject to change without prior notice

1 Nominal cooling capacities based on 28°C and liquid inlet/outlet temperature 12/7°C

2 Nominal heating capacities based on 7°C and liquid inlet/outlet temperature 40/45°C

3 The value of sound power is measured in accordance with standard 9614-2

4 Unit total weight may vary according to chosen options

5 Tank volume by Hydronic versions

All QUANTOR units are equipped with:

- Scroll Compressor
- Electric connection 400V/3PhN/50Hz
- varying voltage levels on request
- Axial fan



Head office: 10 Lucknow Cres, Thomastown VIC 3074
www.winequip.com.au sales@winequip.com.au